

## TECHNICAL DATA

MVX 10-10 FT



Date:2018-03-12

COD:197101021



To

Company: ABBM  
Reference: Thierry Buze  
Email: t.buze@abbm.be

Reference:  
Offer no.: 2018030058

## OPERATING DATA REQUIRED

Flow	0 l/min	Viscosity	1,005 mm <sup>2</sup> /s
Head	0 m	Kin. viscosity	1,0033 mPa s
Fluid	Cold water	Vapor pressure	0,02337 bar
Temperature	20 °C		
Density	0,9983 kg/dm <sup>3</sup>		

## VERTICAL CENTRIFUGAL MULTISTAGE ELECTRIC PUMPS IN STAINLESS STEEL

Extremely noiseless and reliable the vertical centrifugal multistage electric pumps of the series MVX have been designed to pump clean liquids, without abrasives and suspended solids, non-explosive or aggressive for the pump's materials.

- Liquid temperature not higher than 35 °C for domestic use (CEI EN 60335-2-41) or 120 °C for other use, while the ambient temperature must not be higher than 40 °C
- Maximum working pressure is 27 bar
- Flow rate up to ~ 84 m<sup>3</sup>/h
- Heads up to ~ 320 m

		SEA LAND S.r.l. (PD) ITALY www.sea-land.it				MADE IN ITALY	
Type							
H	(rif.5)	m	Q	(rif.5)	l/1'		
Hmin	m	Hmax	(rif.6)	m	P1	(rif.4)	W
○	(rif.2)	HP	(rif.2)	HP	(rif.1)	○	A
~	(rif.1)	V		Hz	η IE2	%	
(rif.3)	μF	V	IP	(rif.9)		Rpm	
S/N		Ins.Cl	(rif.8)	▽	m		
T. MAX FLUID.	°C	(rif.7)	kg				
Servizio continuo				Continuous duty			

## GENERAL DESCRIPTION

Voltage = V...(ref. 1), Power = HP or KW...(ref. 2),  
Input power = [W]...(ref. 4), Capacitor = μF...(ref. 3),  
Input current = A...(ref. 1), Rate of flow = l/1'...(ref. 5),  
Head = m...(ref. 5), Weight and dimensions =  
kg...(ref.7),  
Insulation Class = ...(ref. 8), Protected to = IP...(ref. 9)

## From

Company: ABBM  
Reference: Thierry Buze

Email: t.buze@abbm.be

Sea-land reserves the right to make  
changes without prior notice

Pagina 1 / 3



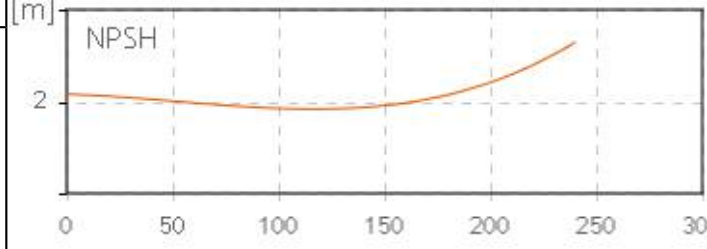
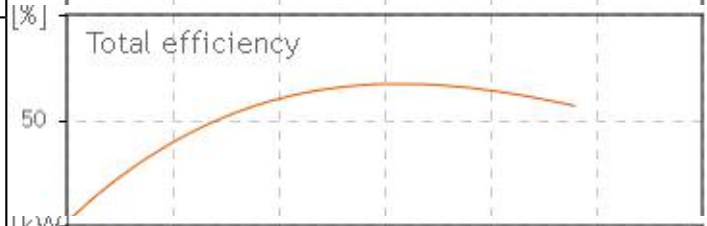
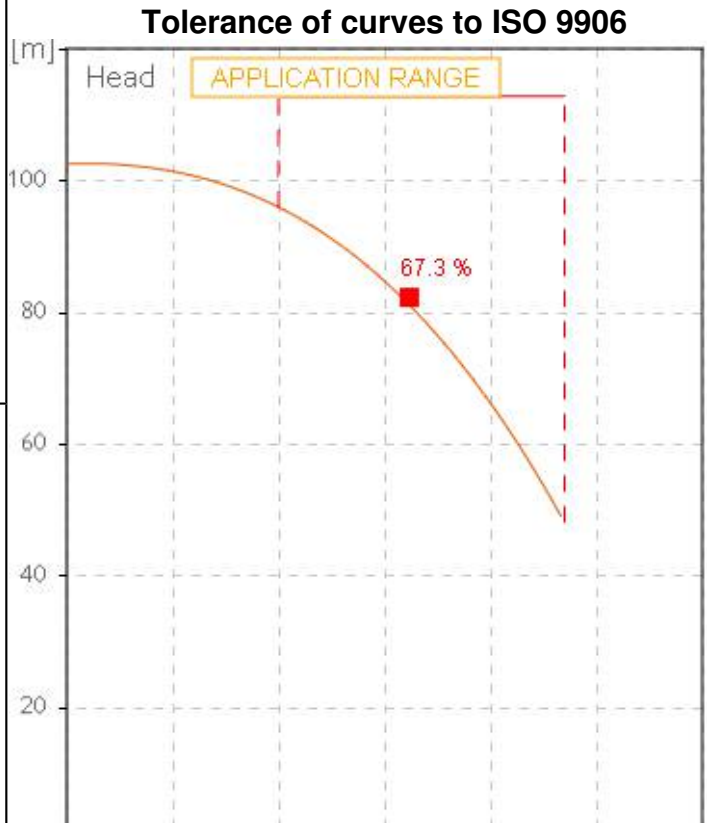
TECHNICAL FEATURES

- Motor bracket: cast iron G20 with anti-corrosive coating
- Pump body: in precision-cast stainless steel Aisi 304 (cast iron G20 with cataphoretic treatment version 30-45-65)
- Diffusers: stainless steel Aisi 304
- Impellers: stainless steel Aisi 304
- Pump shaft: stainless steel Aisi 304
- Bushings: Tungsten carbide
- Mechanical seal: EPDM Graphite - Silicon Carbide

MOTOR

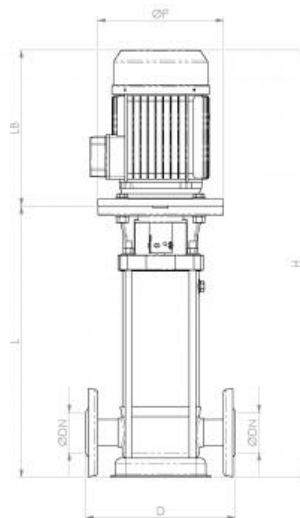
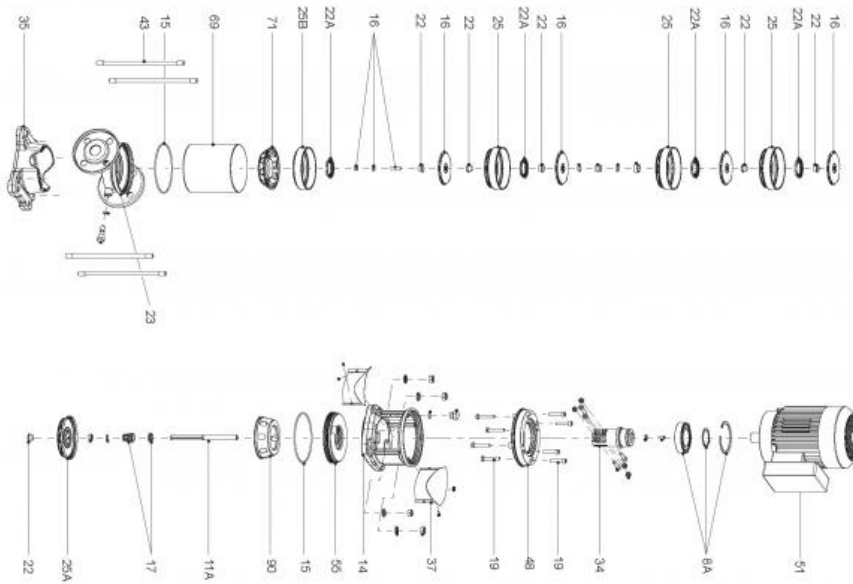
The control motors are asynchronous, squirrel cage-type, closed, with external ventilation

- Capacitor always on, for single-phase models
- The motor protection must be installed by the customer.
- Equipment compliant with current standards should be used
- Class of insulation:F-service:S1-Degree of protection: IP 55
- Terminal board protection: IP 55
- Dimension B14 up to 4 kW, dimension B5 starting from 5.5 kW.
- The standard voltage is 230/400 V up to 4 kW, whereas it is 400/690 V starting from 5.5 kW.



		SEA LAND S.r.l. (PD) ITALY www.sea-land.it				MADE IN ITALY	
Type MVX 10-10 FT							
H	49 - 96	m	Q	235 - 100	l/1'		
Hmin	49	m	Hmax	102.5	m	P <sub>1</sub>	14,1 W
○	5,5	HP	4	kW	16 - 7.6	○	A
~	230 - 400	V	50	Hz	η IE2	%	
μF		V	IP	44	2900	Rpm	
S/N			Ins.Cl F	▽	m		
T. MAX FLUID.	35 °C	50.5	kg				
Servizio continuo				Continuos duty			





TIPO TYPE	DIMENSIONI [mm]					IMBALLO [mm]			PESO	
	D	L	LB	Ø	H	PACKING [mm]			WEIGHT	
	D	L	LB	Ø	H	DNA	Ai	Li	Pi	[kg]
MVX 10-10 FT	280	607.5	306	B14	913.5	40	993.5	310	310	50.5

**From**  
Company: ABBM  
Reference: Thierry Buze

Email: t.buze@abbm.be

Sea-land reserves the right to make changes without prior notice  
Pagina 3 / 3