

# Suspensions Caoutchouc-Métal

## ECCENTRIC BUSHINGS



In eccentric bushings the center points of the inner and outer cylinders are not the same. As a result it is more flexible in the direction of the main load and it keeps the same control in the other direction.

The eccentric bushing is available in two hardnesses, 45 and 60 sh.

### CARACTÉRISTIQUES TECHNIQUES

- Optimal vibration damping and isolation.
- Fit to use for robust and safe constructions.
- Simple installation and application.
- Maximum load of bushing 45sh is about 300kg.
- Maximum load of bushing 60sh is about 460kg.

### APPLICATIONS

The AMC MECANOCAUCHO® eccentric bushing is best suited to the following situations and applications:

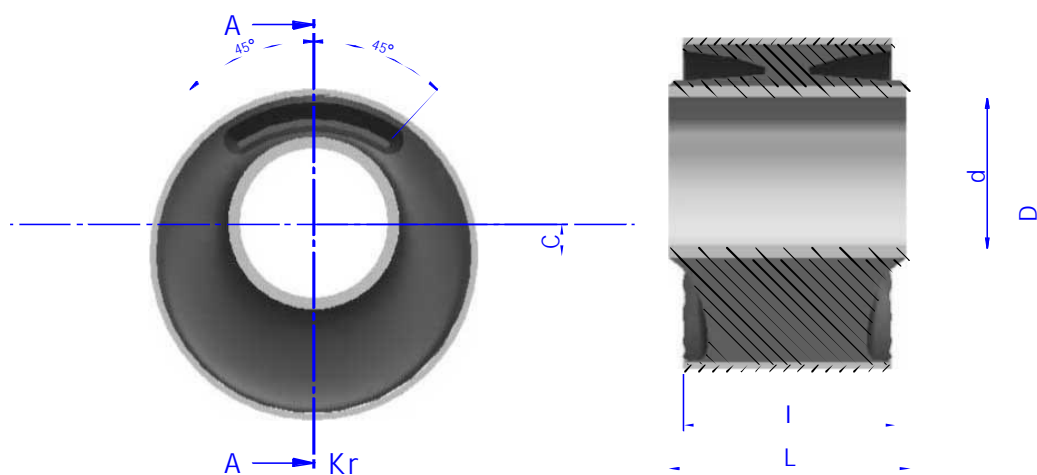
- Tilting cab suspension.
- Suspension arms.



# Suspensions Caoutchouc-Métal

## ECCENTRIC BUSHINGS

### DESIGNS



### DIMENSIONS

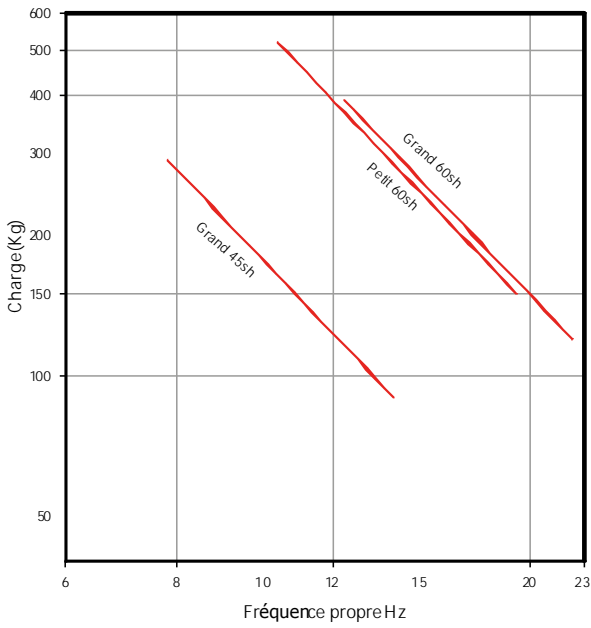
Genre	d	C	D	I	L	Code	Sh	Charge max.
MINI	16	7,1	47,6	50,8	63,5	154161	45	110
						154163	60	180
SMALL	24	10,5	75,3	50,8	10	154159	45	200
						154158	60	390
LARGE	43,7	9,5	101,6	63,5	72,4	154154	45	290
						154155	60	510

# Suspensions Caoutchouc-Métal

## ECCENTRIC BUSHINGS

### PROPRIÉTÉS ÉLASTIQUES

AMC COURBES DE CHARGE-FLÈCHE  
ARTICULATION EXCENTRIQUE



AMC COURBES DE CHARGE-FLÈCHE  
ARTICULATION EXCENTRIQUE

